

# KFP300 R290

START N° 184549

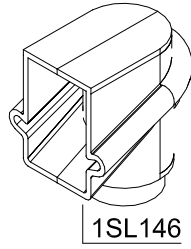
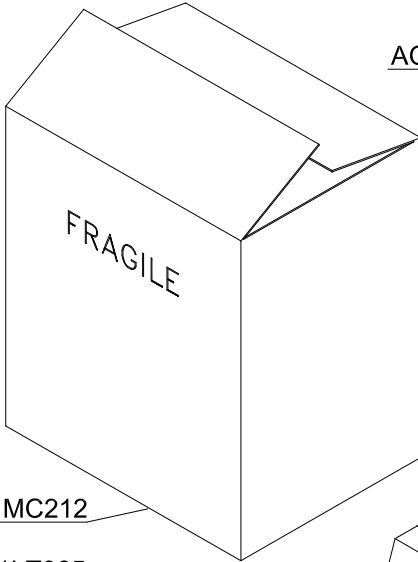
2VP113

2VP122

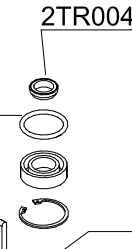
ACC. KFP85

2VP114

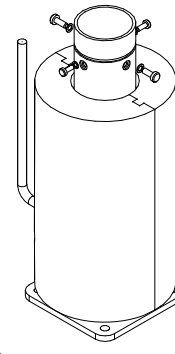
1VP066



1SL146



2TR004



2VP112  
1VP060

2VP128

1MC212

1LT065

1MM590

1LT066

1MM540

1LT019

1MM544

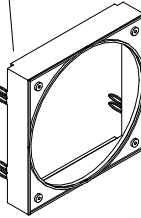
1MM547

1LT067

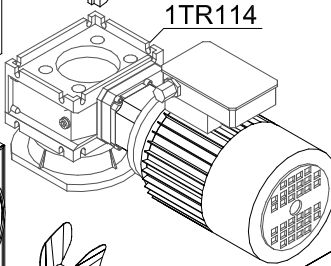
1LT220

1RF005

1RF233



1LT003



1TR114

1MM539

1DR031

1LT223

1CC001

1DR025

1DR074

1DR005

1MC029

1MC027

1MC028

1LT040

2LT137

1DR005

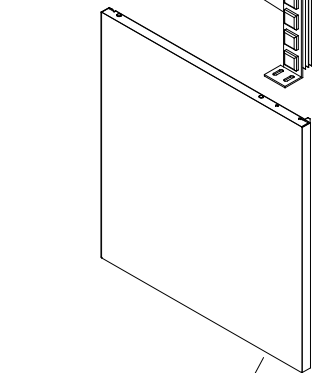
1MM537

1DR005

1MB237

2DR043

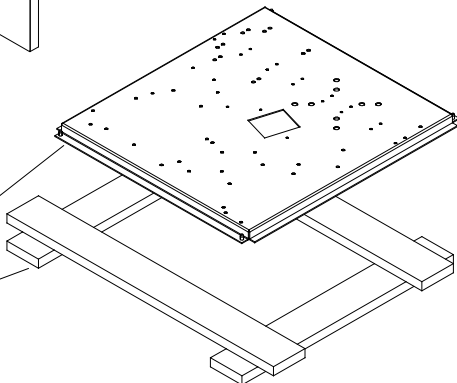
1DR056



1MM538

1MM536

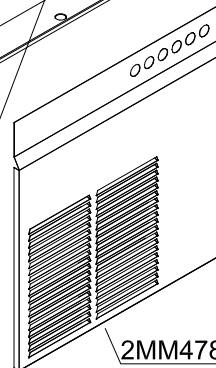
1MC211



1RF211

1LT022

1LT029



2MM478

1CD154

**W**

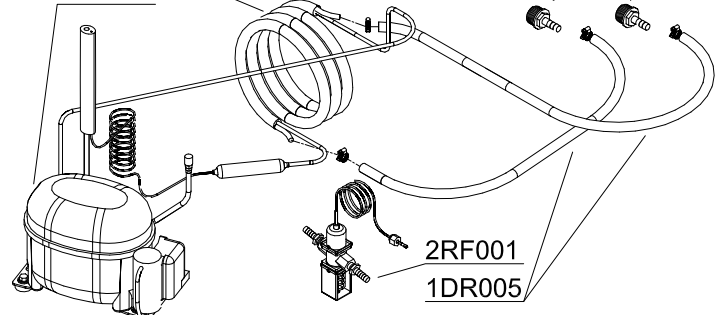
1LT067

2CD044

1RF211

1CC001

2DR001



2RF001

1DR005